

# Original BMW Accessories. Installation Instructions.



## BMW M Performance Power Kit Retrofit

BMW 3 Series (F30, F31, F34)

BMW 4 Series (F32, F33, F36)

**These installation instructions are only valid for 335i/435i and 335i xDrive/435i xDrive cars.**

### Retrofit kit number

11 12 2 353 337	BMW M Performance Power Kit 250KW (built after 07/2013 with EU6)
11 12 2 334 336	BMW M Performance Power Kit with FSC (built after 11/2012)
11 12 2 294 611	BMW M Performance Power Kit (built before 11/2012)

### Installation time

The installation time for cars with MEVD 172S/G is **around 0.25 hours** and for cars with MEVD 1726 **around 1.75 hours**. These times may vary depending on the condition of the car and the equipment in it.

The installation time shown does not include any time spent on programming/coding.

The calculation of the total costs for the programming time must be factored into the calculation of retrofitting costs (no charges may be made through the warranty).

### Important information

These installation instructions are primarily designed for use within the BMW dealership organisation and by authorised BMW service companies.

In any event, the target group for these installation instructions is specialist personnel trained on BMW cars with the appropriate specialist knowledge.

All work must be completed using the latest BMW repair manuals, wiring diagrams, servicing manuals and work instructions, in a rational order, using the prescribed tools (special tools) and observing current health and safety regulations.

**If you experience installation or function problems, restrict troubleshooting to approx. 0.5 hours for mechanical work and 1.0 hour for electrical work.**

To avoid unnecessary extra work and/or costs, send an inquiry straight away to the technical parts support team via the Aftersales Assistance Portal (ASAP).

Quote the following information:

- Chassis number,
- Retrofit kit part number,
- A detailed description of the problem,
- Any work already carried out.

Do not archive the hard copy of these installation instructions since daily updates are provided via ASAP!

## **Pictograms**



Denotes instructions that draw your attention to special features.

◀ Denotes the end of the instruction or other text.

## **Activation code**

The activation code (FSC) is available for downloading via ASAP, see the section entitled "Concluding work".

## **Workshop certificate**

Print out the "Workshop certificate" section at the end of the installation instructions, fill it in and give it to the customer.

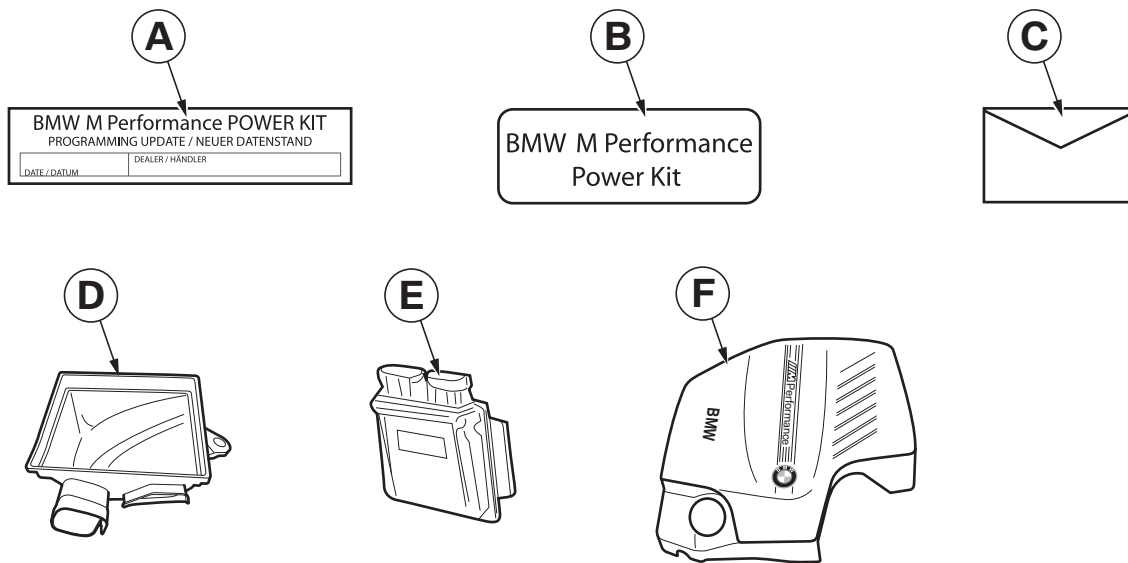
## **Special tools required**

None

## Table of contents

Section	Page
1 Retrofit kit parts list .....	4
2 Conversion work .....	5
3 Concluding work .....	6
Workshop certificate .....	7

## 1. Parts list for retrofit kit

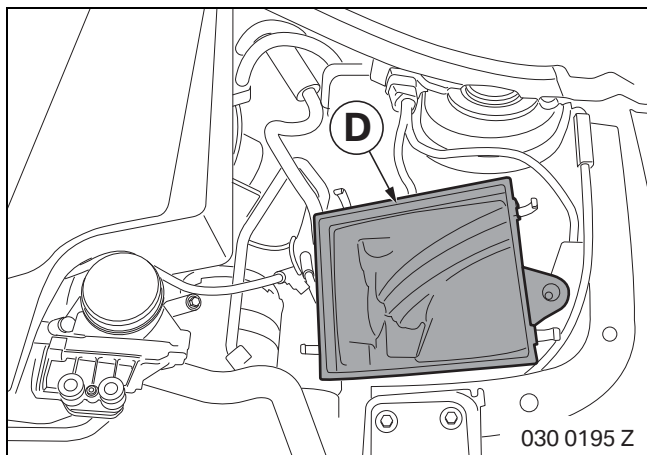


090 1587 Z

### Legend

- A** Engine control unit sticker
- B** BMW M Performance emblem
- C** Activation code certificate (in red envelope)
- D** Intake silencer
- E** MEVD 172S engine control unit (only for cars with MEVD 1726)
- F** Engine cover

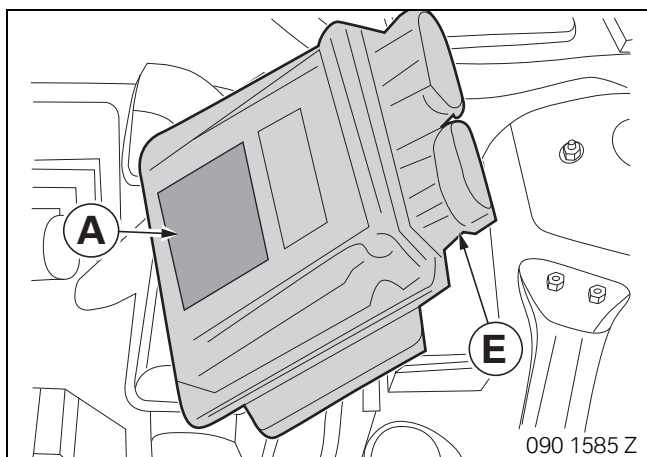
## 2. Conversion work



Remove the intake filter housing (see ISTA 13 71 000).

Lift the installed intake silencer upwards and outwards and replace it with intake silencer **D**.

Install the intake filter housing.



### Only for cars with MEVD 1726

▶ Clean the bonding surface. ◀

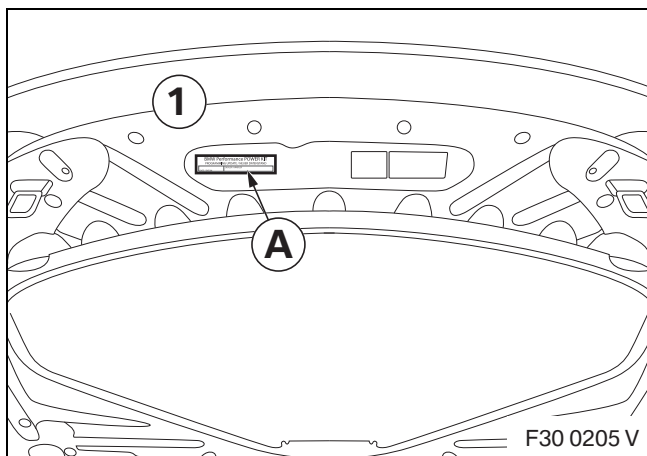
Read off the injector values.

Replace the installed MEVD 1726 engine control unit with engine control unit **E** (see ISTA 12 14 550).

Enter the dealership and date on engine control unit sticker **A**.

Attach engine control sticker **A** to engine control unit **E**.

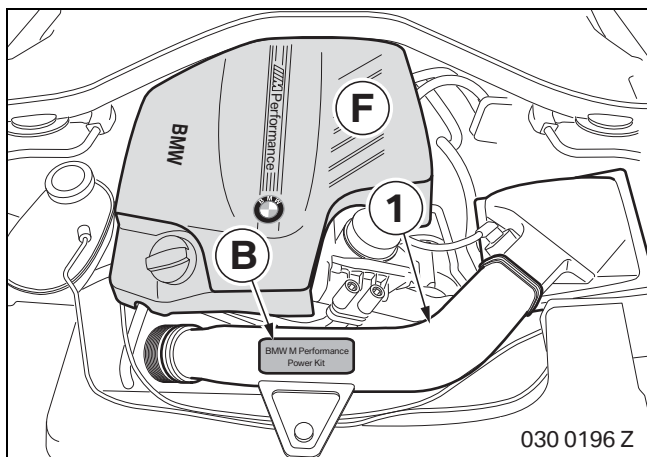
Install engine control unit **E**.



### Only cars with MEVD 172S/G

▶ Clean the bonding surfaces. It must be completely dry, clean and free from dust and grease. ◀

Enter the dealership and date on engine control unit sticker **A**. Affix engine control unit sticker **A** on the inside of the bonnet (1).



### All cars

▶ Clean all of the surfaces to which stickers will be attached. ◀

Stick emblem **B** in the centre on the air guide (1).


Install engine cover **F** as per ISTA 12 ...

### 3. Concluding work

The retrofit system requires coding.


#### Requesting the activation code

- Remove activation code certificate **C** from the red envelope.
- Log into the ASAP portal.
- On the "Service/Technology" page, open the "Sweeping Technologies" menu and menu item "Request Tuning Kit FSC".
- In the "Chassis number" field, enter the last seven digits of the chassis number.
- In the "SN" field, enter the serial number and in the "Key" field enter the alphanumeric combination from the activation code certificate.


 Be aware that your entries are case-sensitive.  
If you enter the data incorrectly 10 times, the certificate will be blocked. ◀

- Then click the "Request" button. Once the activation code has been generated, you are automatically forwarded to the "Download Activation Codes" area.
- Save the activation code to a suitable storage medium and keep it ready for the programming process.

#### Programming/coding

 The retrofit must be carried out with ISSS (use the latest software version!) ◀

- Connect the car with the ISSS using ICOM. Vehicle identification begins automatically.
- Confirm the control unit replacement with "No".
- After identification, switch to the "Vehicle" menu and then select the tab "Conversions".
- Select the conversion performed and click "Determine action plan" below.
- Select "Accept action plan".
- Then follow the instructions.
- After programming, carry out a vehicle test and observe the instructions in the follow-on work list.

 If the action "Enable DME/DDE" action should appear in the concluding report, you must change the terminals. After changing the terminals, continue with the standard diagnostic process (continue with the car test) and delete any error memory entries. You must ensure that no error memory entries are still present. ◀

- Re-assemble the car appropriately

#### Workshop certificate

Print out the "Workshop certificate" section at the end of the installation instructions, fill it in and give it to the customer.

## Workshop certificate

# BMW M Performance Power Kit

This is to confirm that the BMW M Performance Power Kit

11 12 2 353 337 BMW M Performance Power Kit 250KW (built after 07/2013 with EU6)

11 12 2 334 336 BMW M Performance Power Kit with FSC (built after 11/2012)

11 12 2 294 611 BMW M Performance Power Kit (built before 11/2012)

has been completely installed on the car identified below.

No additional components have been converted or retrofitted.

The use of RON 98 fuel (AKI 93) is recommended in combination with the BMW M Performance Power Kit.

Car model: BMW 335i/335ix (F30, F31, F34)  
BMW 435i/435ix (F32, F33, F36)

Vehicle identification no.: .....

Vehicle owner

Name and address: .....  
.....  
.....  
.....  
.....

.....  
Place, date

.....  
Signature of person responsible

Dealership (company name/stamp)